



PU401

Key Features:

Stainless Steel Interior & Exterior

Designed To Operate In 43°C Ambient

Built-In Air Rear Duct For Even Temperature Distribution

R290 Hydrocarbon Refrigerant

Zero ODP Injected Polyurethane Insulation

-2 / +4°C Refrigerator Temperature Range

Electronic Controller With Easy Read LCD Screen

Door Locks Fitted As Standard

Rifle Bore Coated Evaporators

Ergonomic Flush Door Handle

Non Gastronorm Shelving System - (GN1/1 Pans Can Fit On Shelves) - Anti Tilt Slides

Hi / Lo Audio Visual Temperature Alarms

Condensing Unit Safety System To Protect Compressor From Blocked Condensers

Self Closing Door

Heavy Duty Brake & Swivel Castors

Waste Heat Recovery Condensate Vaporiser System



Non-Gastronorm Shelving System With Anti-Tilt Slides

Options:

Extra Std Nylon Coated Shelves / Slides

Extra Shelf / Pan Slides

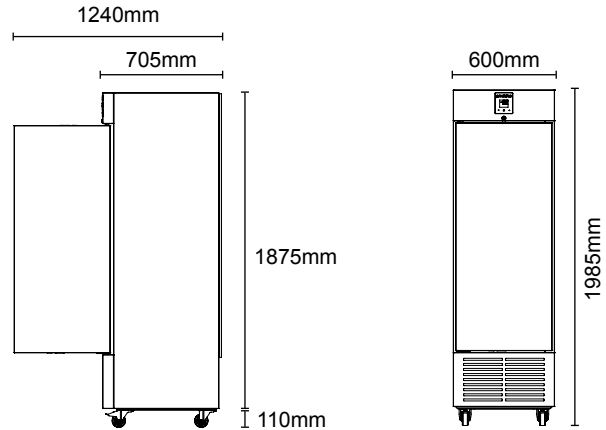
Fish Shelving - 7 x GN1/1 - 100mm Deep - Stainless Steel Pans & Slides per section with Slime Trays

Stainless Steel Back

Left Hand Hinged Door

Adjustable Legs

Precision Connect



Model	MPU401	LPU401
Type	Refrigerator	Freezer
Material	ST/ST Int/Ext	ST/ST Int/Ext
Shelf Size	418 x 530mm	418 x 530mm
Number of Shelves	3	3
Max Number of Shelves (100mm Spacing)	9	9
Temperature Range	-2 / +4°C	-18 / -22°C
Exterior WxDxH (mm)	600x705x1985	600x705x1985
Net Usable Volume (litres)	261	261
Weight (KG)	110	120
Refrigerant / GWP	R290 /3	R290 /3
Refrigeration Watts (+45°C Condensing)	373	495
Evaporating Temp	-10°C	-30°C
Heat Rejection Watts*	560	743
Noise Output (dBa)	68	69
Power	230 / 50 / 1	230 / 50 / 1
Running Amps	1.3	2.9
Total Electrical Load - kW	0.30	0.67
Energy Consumption / 24hrs - kWh**	1.14	6.03
Energy Consumption / Year (AEC) - kWh**	416	2201
Energy Efficiency Class**	C	E

* Heat Rejection is taken at the listed evaporating and condensing condition. Watts is calculated using total power of the cabinet.

** Tested to BS EN ISO 22041

We are constantly innovating and improving our products. Please scan QR code for the most up-to-date version of this spec sheet:

